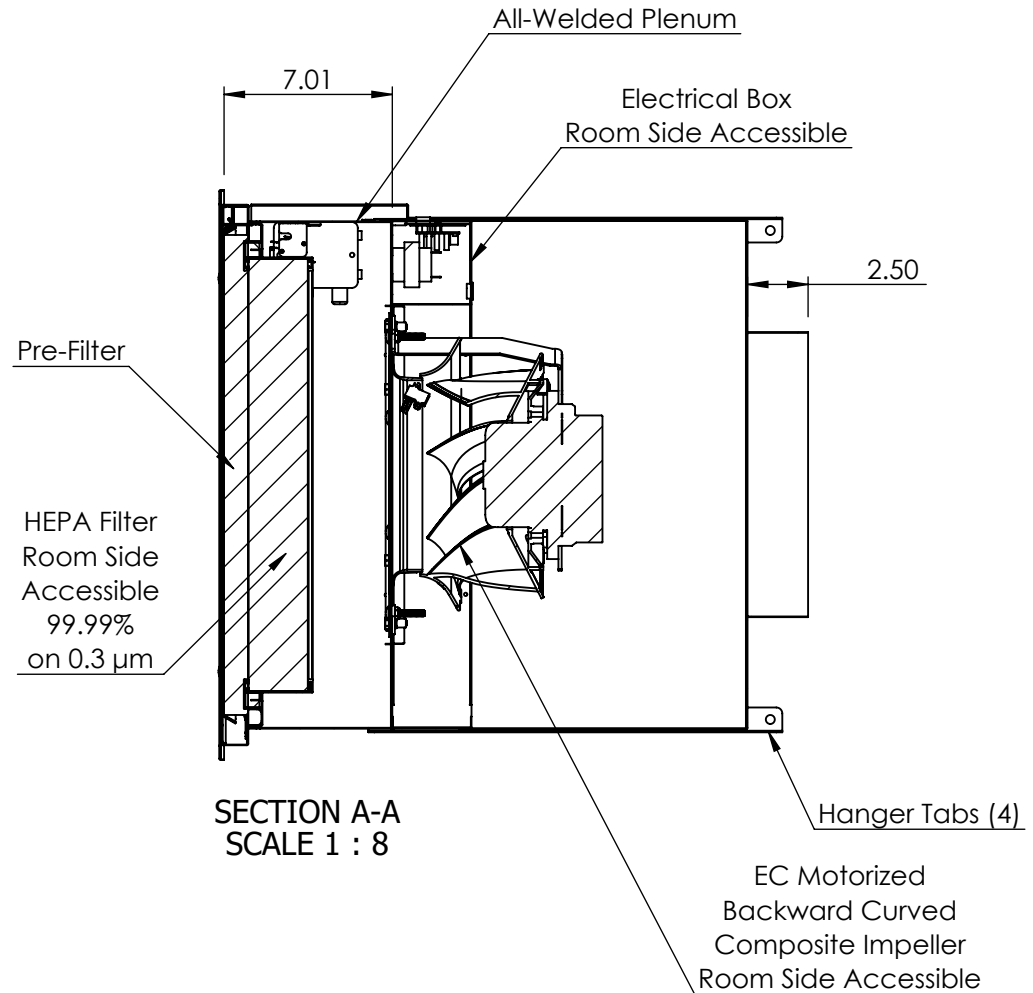
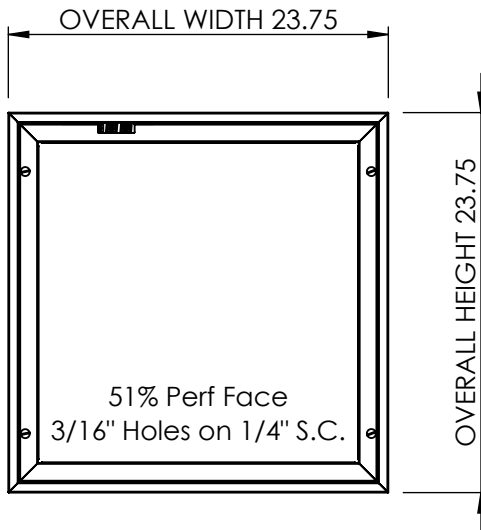
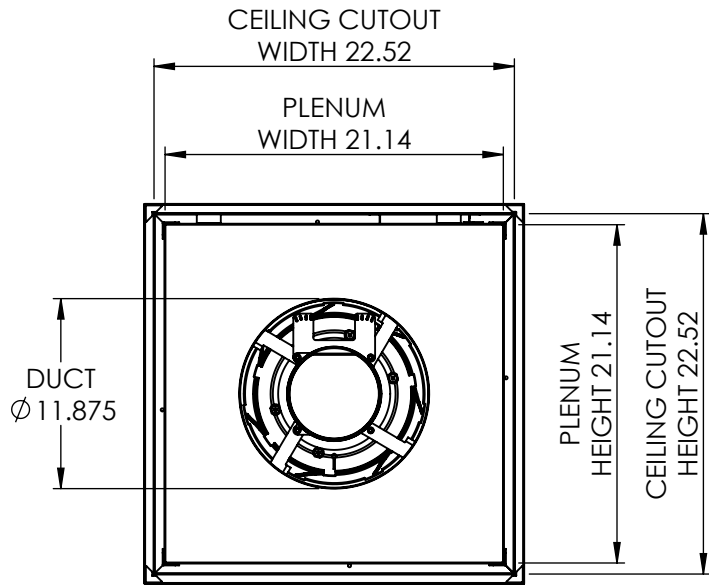


# RFCRFF-E-ARSM REVERSE FLOW FAN FILTER UNIT

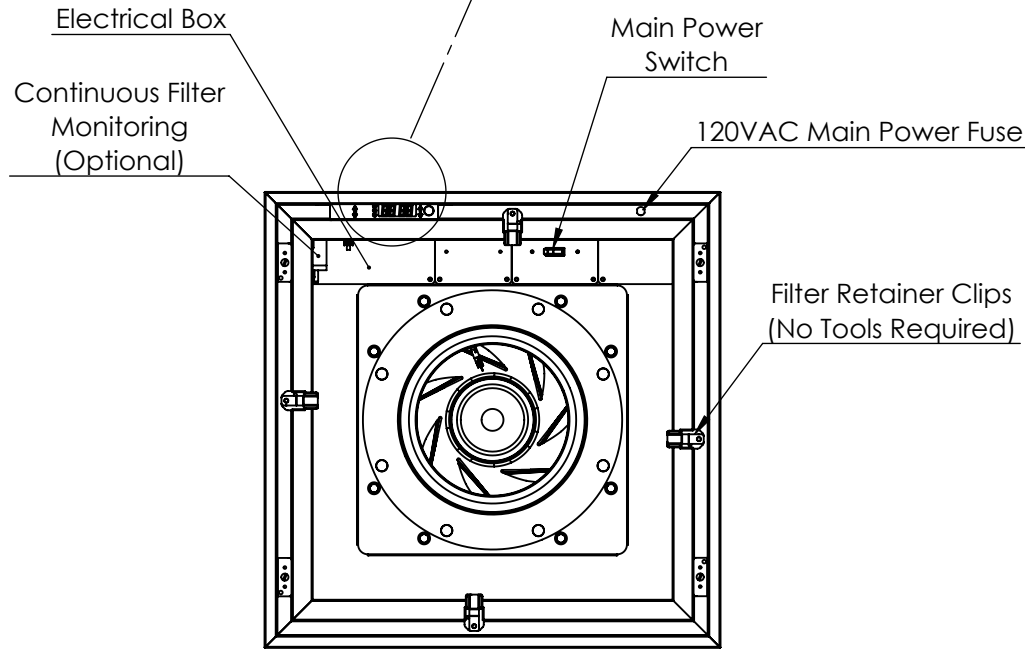
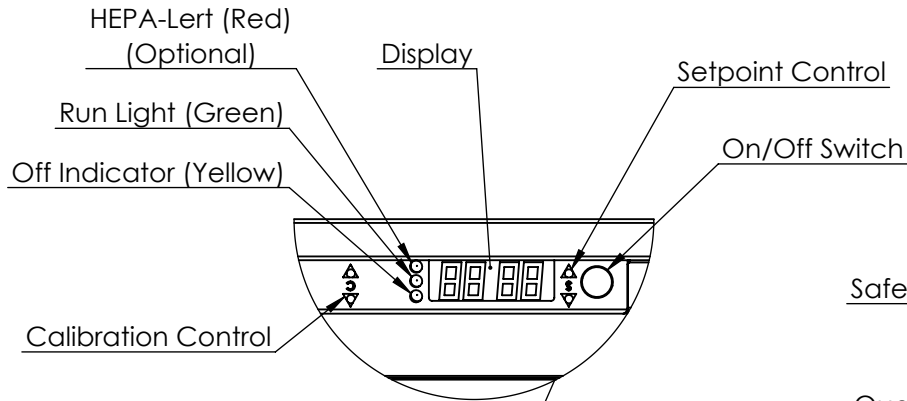
ARSM - MOTOR & ELECTRONICS ACCESSIBLE



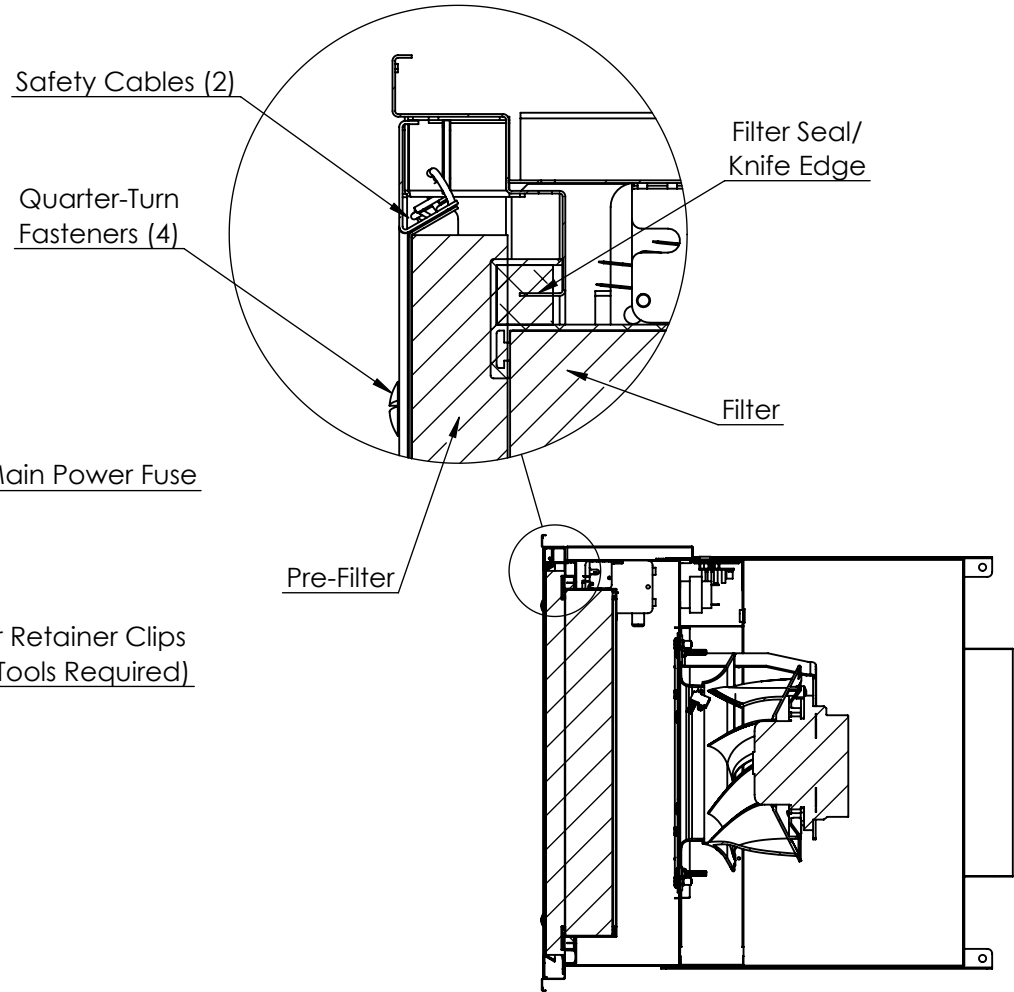
DRAWN SLG	MATERIAL 304SS	JOB NAME	TAG	QTY	REV # A
CHKD RH	FINISH #4 SATIN	ENGINEER	DRAWING NAME 032620-162		SHT 1/3
APRVD	SIZE 24 x 24	CONTRACTOR			SCL 1:12
					DO NOT SCALE

# RFCRFF-E-ARSM REVERSE FLOW FAN FILTER UNIT

ARSM - MOTOR & ELECTRONICS ACCESSIBLE



FACE FRAME AND HEPA FILTER REMOVED FOR CLARITY



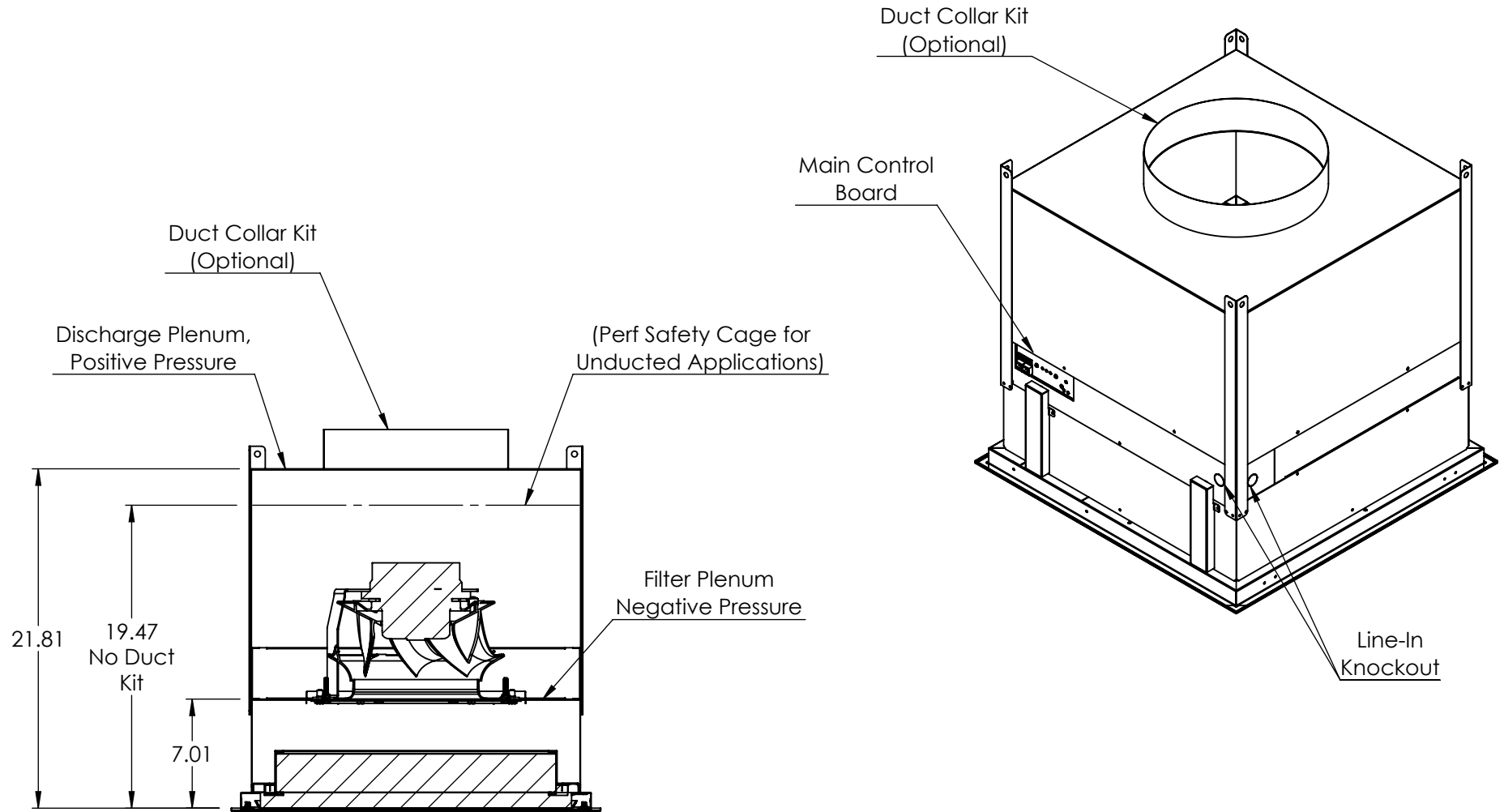
SECTION A-A



DRAWN SLG	MATERIAL 304SS	JOB NAME	TAG	QTY	REV # A
CHKD RH	FINISH #4 SATIN	ENGINEER	DRAWING NAME 032620-162		SHT 2/3
APRVD	SIZE 24 x 24	CONTRACTOR			SCL 1:10
					DO NOT SCALE

# RFCRFF-E-ARSM REVERSE FLOW FAN FILTER UNIT

ARSM - MOTOR & ELECTRONICS ACCESSIBLE



DRAWN SLG	MATERIAL 304SS	JOB NAME	TAG	QTY	REV # A
CHKD RH	FINISH #4 SATIN	ENGINEER	DRAWING NAME 032620-162		SHT 3/3
APRVD	SIZE 24 x 24	CONTRACTOR			SCL 1:10
					DO NOT SCALE